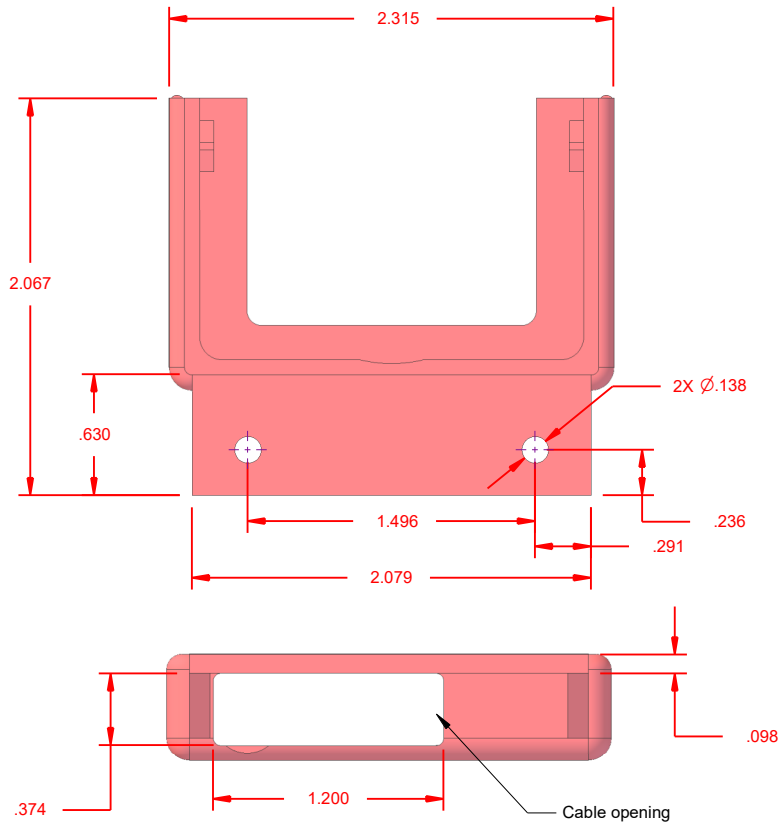
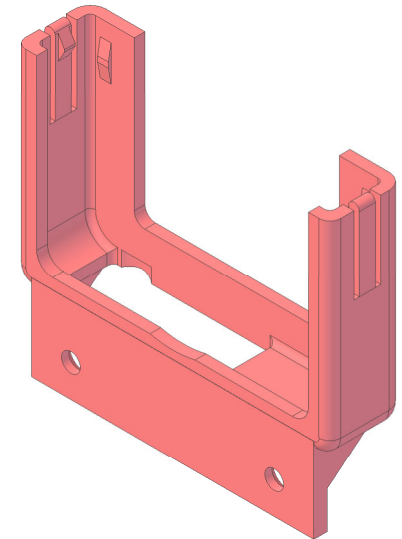




REVISIONS

ZONE	REV	DESCRIPTION	DATE	APPROVED
------	-----	-------------	------	----------



- Notes:
1. This piece is used in combination with the host device interface profile
 2. It is designed to be 3D-printed using an FDM printer:
* 1.75mm
* PLA
 3. Suggest using Acetone to solvent weld this piece to the interface profile
 4. Use the two #4 plastite fasteners to fixture the parts
 5. Refer to CAD file for all dimensions, CAD dimensions control.

	DRAWN	DATE	HeadMouse Nano SnapTray		
	CHECKED	2-13-2023	Origin Instruments Corp.		
	QA				
MFG		SIZE	FSCM NO.	DWG NO.	REV
APPROVED		A			
		SCALE	1:1		SHEET 1 OF 1

